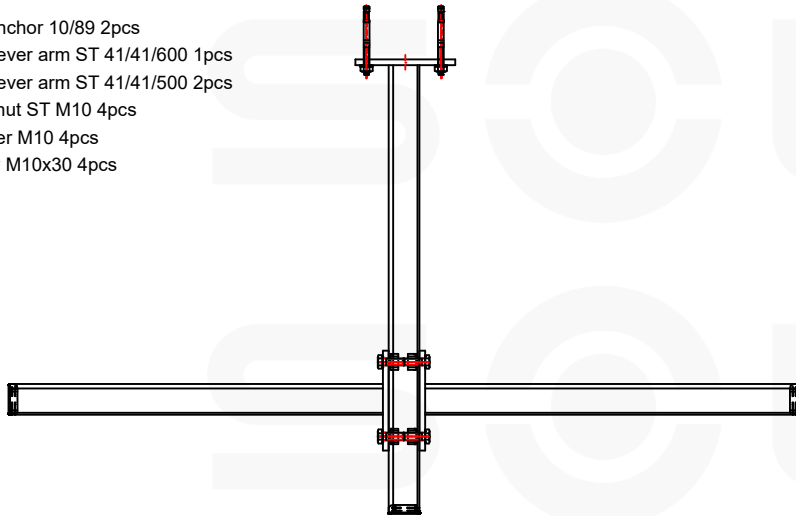


SUSPENSION EXAMPLE

SOLIDA
FASTENING SYSTEMS

SOLIDA - variant 1

Bolt anchor 10/89 2pcs
Cantilever arm ST 41/41/600 1pcs
Cantilever arm ST 41/41/500 2pcs
Slide nut ST M10 4pcs
Washer M10 4pcs
Screw M10x30 4pcs



SOLIDA - variant 2

Bolt anchor 10/89 2pcs
Cantilever arm ST 41/41/600 1pcs
Cantilever arm ST 41/41/500 2pcs
Nut M10 4pcs
Washer M10 2pcs
Screw M10x70 2pcs

